

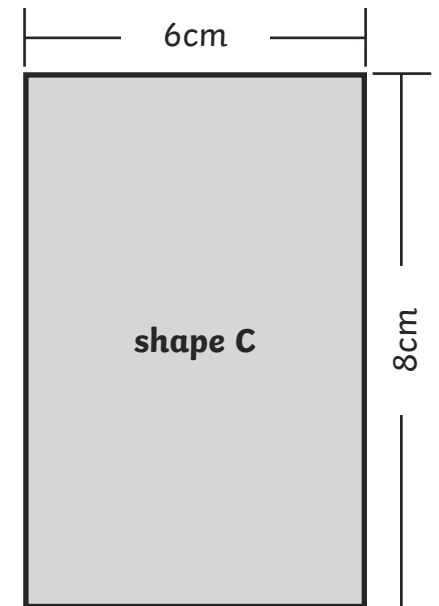
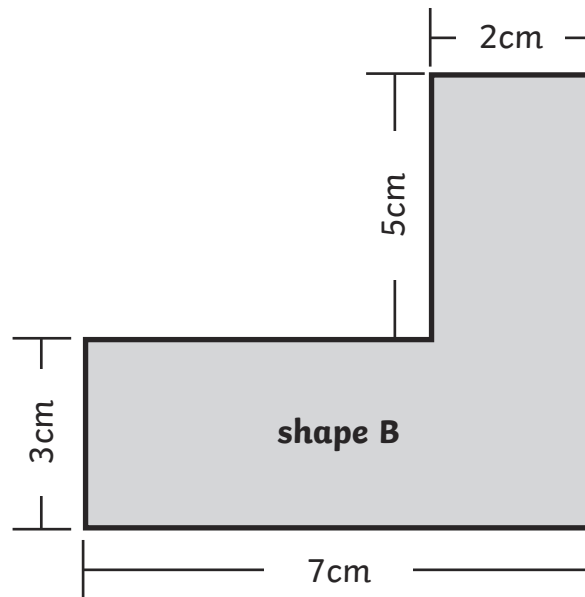
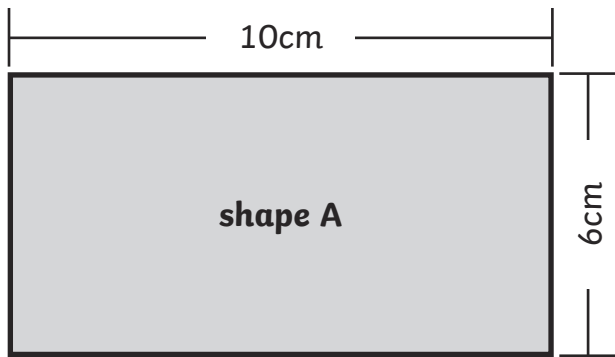


Order! Order!

I can order shapes by area and volume.



1. Calculate the area of these shapes, then order them by size from smallest to greatest area. (The shapes are not drawn to the same scale.)



smallest

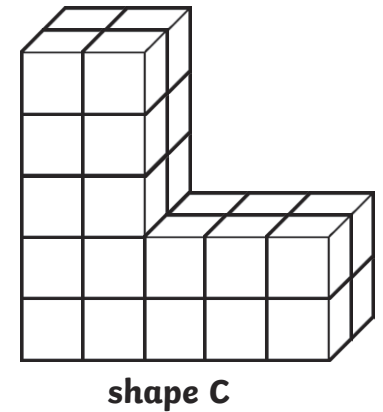
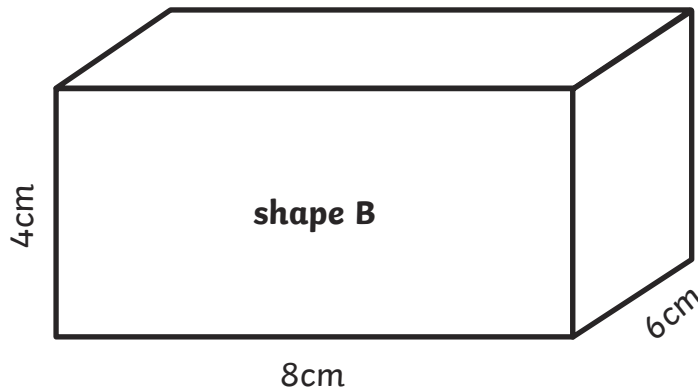
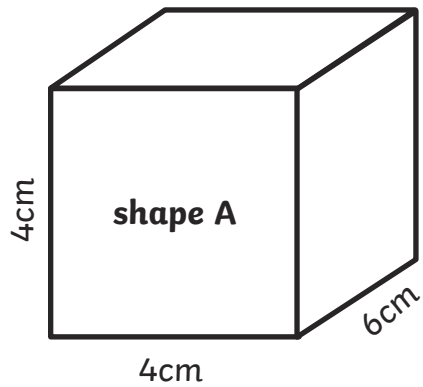
greatest

--	--	--



Order! Order!

2. Calculate the volume of these shapes, then order them by size from smallest to greatest volume. (The shapes are not drawn to the same scale.)



smallest greatest

--	--	--

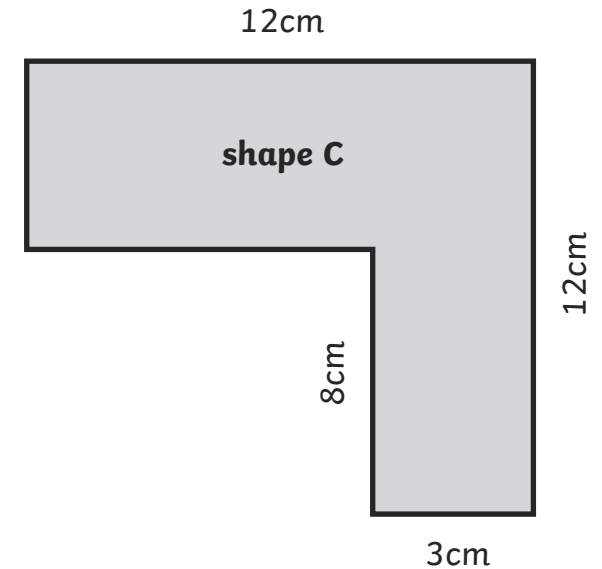
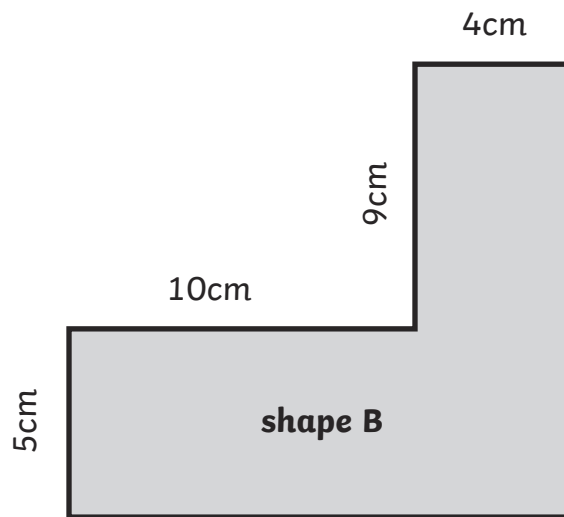
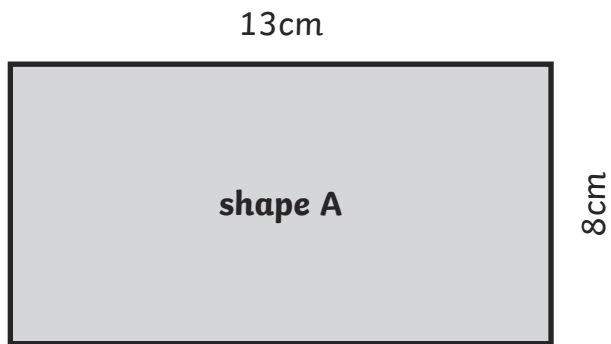


Order! Order!

I can order shapes by area and volume.



1. Calculate the area of these shapes, then order them by size from smallest to greatest area. (The shapes are not drawn to the same scale.)



smallest

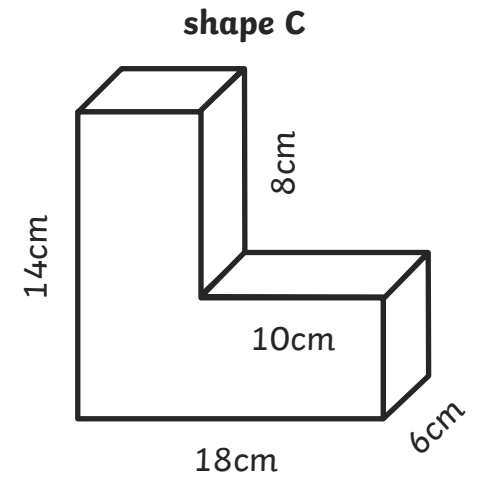
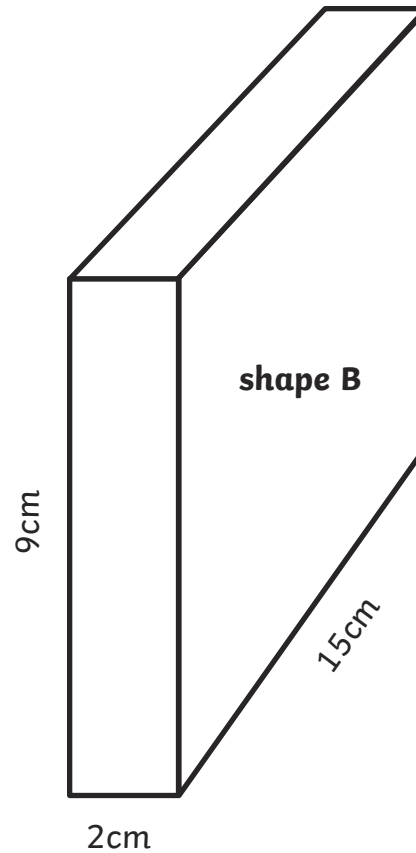
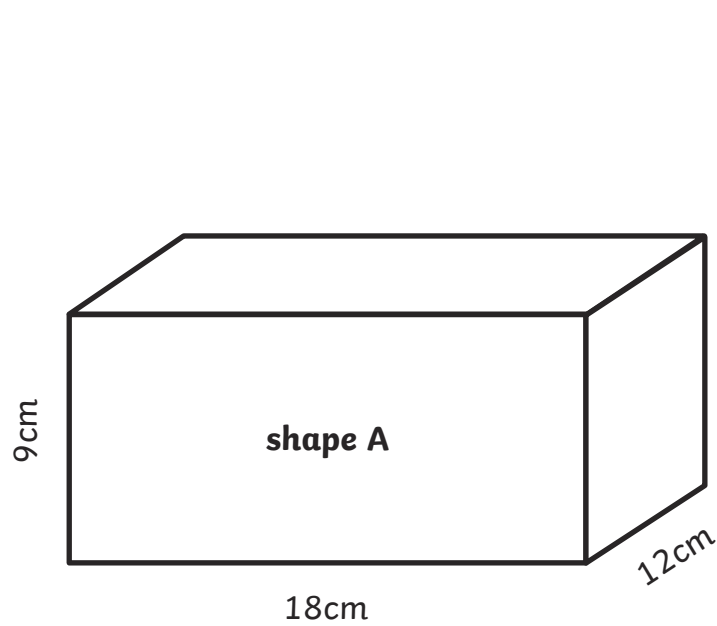
greatest

--	--	--



Order! Order!

2. Calculate the volume of these shapes, then order them by size from smallest to greatest volume. (The shapes are not drawn to the same scale.)



smallest greatest

--	--	--

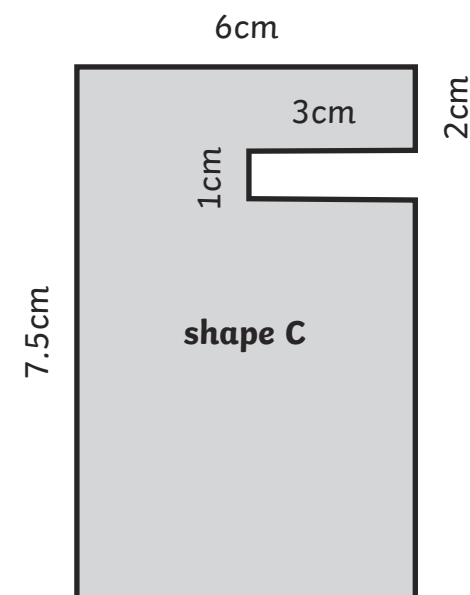
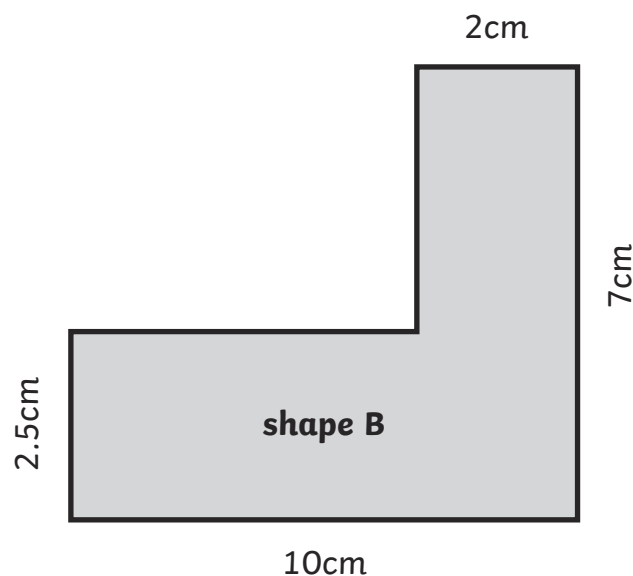
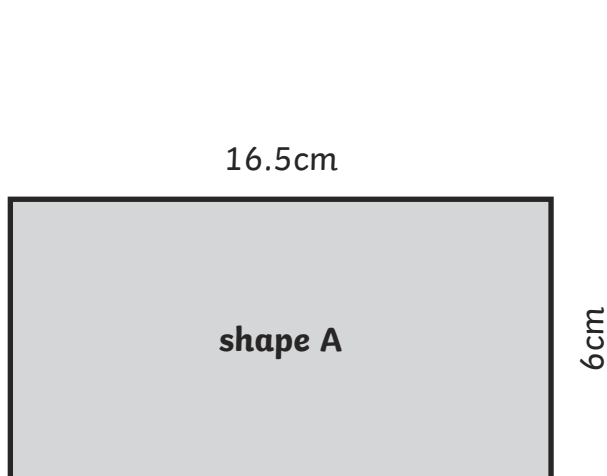


Order! Order!

I can order shapes by area and volume.



1. Calculate the area of these shapes, then order them by size from smallest to greatest area. (The shapes are not drawn to the same scale.)



smallest

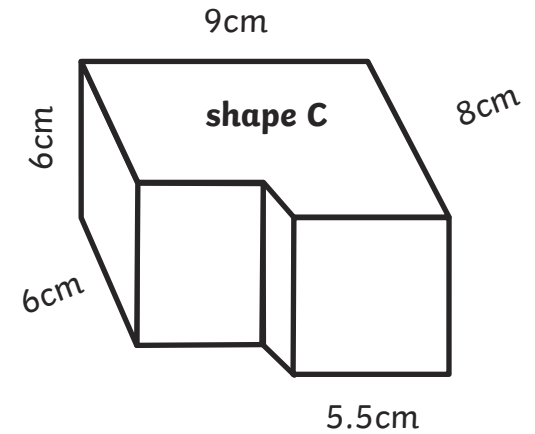
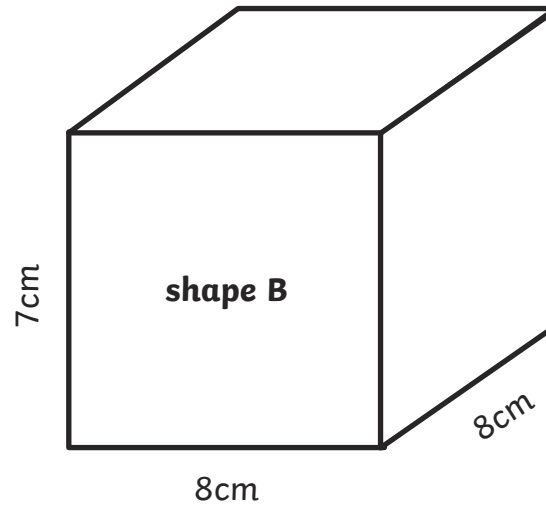
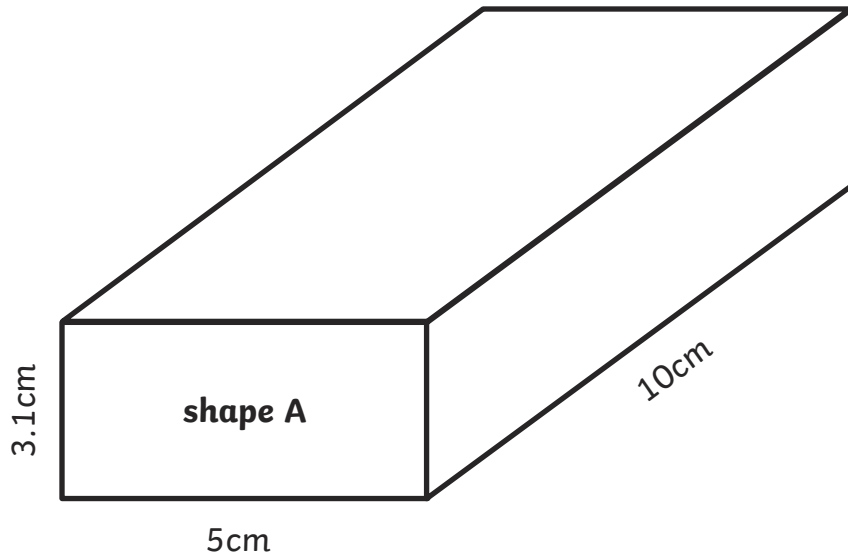
greatest

--	--	--



Order! Order!

2. Calculate the volume of these shapes, then order them by size from smallest to greatest volume. (The shapes are not drawn to the same scale.)



smallest

greatest

--	--	--

Order! Order! Answers

★	★★	★★★																		
<p>1.</p> <table border="1"> <tr> <td colspan="2">smallest</td> <td>greatest</td> </tr> <tr> <td><i>shape B</i></td> <td><i>shape C</i></td> <td><i>shape A</i></td> </tr> </table>	smallest		greatest	<i>shape B</i>	<i>shape C</i>	<i>shape A</i>	<p>1.</p> <table border="1"> <tr> <td colspan="2">smallest</td> <td>greatest</td> </tr> <tr> <td><i>shape C</i></td> <td><i>shape A</i></td> <td><i>shape B</i></td> </tr> </table>	smallest		greatest	<i>shape C</i>	<i>shape A</i>	<i>shape B</i>	<p>1.</p> <table border="1"> <tr> <td colspan="2">smallest</td> <td>greatest</td> </tr> <tr> <td><i>shape B</i></td> <td><i>shape C</i></td> <td><i>shape A</i></td> </tr> </table>	smallest		greatest	<i>shape B</i>	<i>shape C</i>	<i>shape A</i>
smallest		greatest																		
<i>shape B</i>	<i>shape C</i>	<i>shape A</i>																		
smallest		greatest																		
<i>shape C</i>	<i>shape A</i>	<i>shape B</i>																		
smallest		greatest																		
<i>shape B</i>	<i>shape C</i>	<i>shape A</i>																		
<p>2.</p> <table border="1"> <tr> <td colspan="2">smallest</td> <td>greatest</td> </tr> <tr> <td><i>shape C</i></td> <td><i>shape A</i></td> <td><i>shape B</i></td> </tr> </table>	smallest		greatest	<i>shape C</i>	<i>shape A</i>	<i>shape B</i>	<p>2.</p> <table border="1"> <tr> <td colspan="2">smallest</td> <td>greatest</td> </tr> <tr> <td><i>shape B</i></td> <td><i>shape C</i></td> <td><i>shape A</i></td> </tr> </table>	smallest		greatest	<i>shape B</i>	<i>shape C</i>	<i>shape A</i>	<p>2.</p> <table border="1"> <tr> <td colspan="2">smallest</td> <td>greatest</td> </tr> <tr> <td><i>shape A</i></td> <td><i>shape C</i></td> <td><i>shape B</i></td> </tr> </table>	smallest		greatest	<i>shape A</i>	<i>shape C</i>	<i>shape B</i>
smallest		greatest																		
<i>shape C</i>	<i>shape A</i>	<i>shape B</i>																		
smallest		greatest																		
<i>shape B</i>	<i>shape C</i>	<i>shape A</i>																		
smallest		greatest																		
<i>shape A</i>	<i>shape C</i>	<i>shape B</i>																		