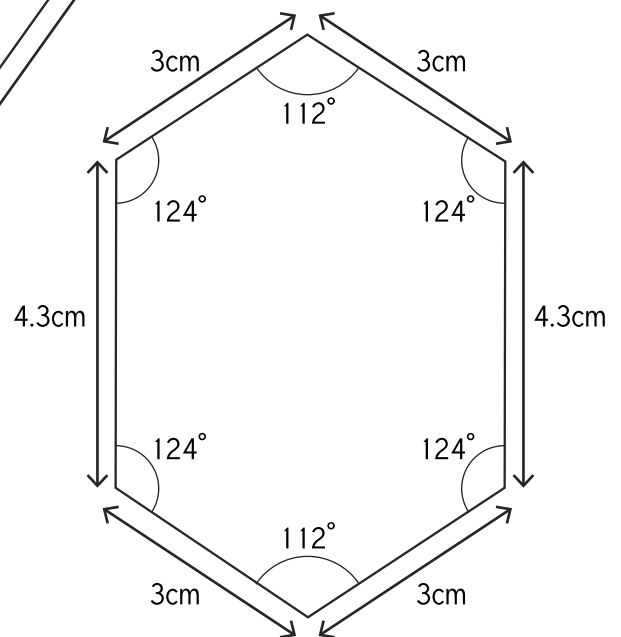
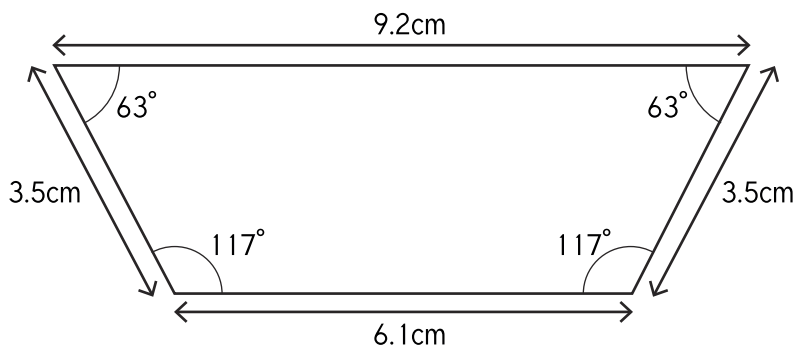
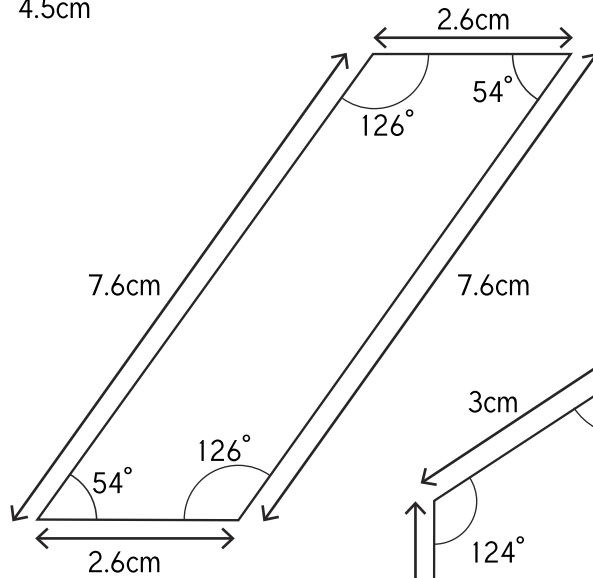
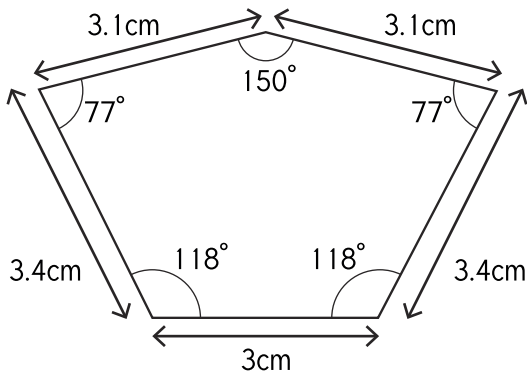
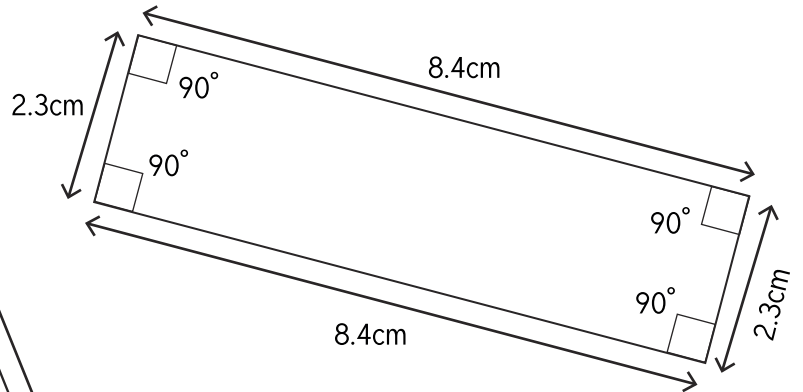
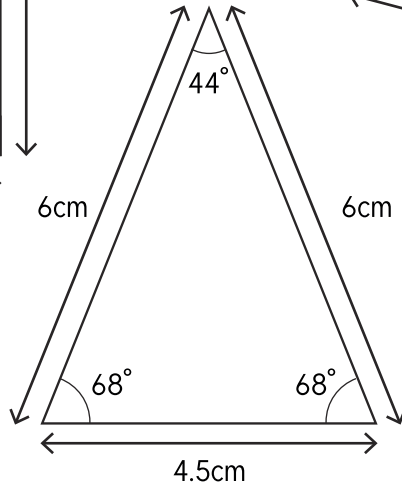
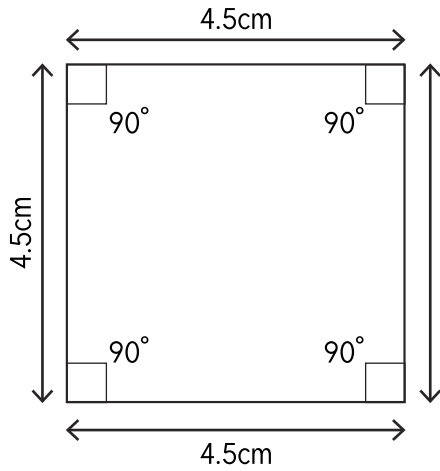




# 2D Shape Challenge Answers

Use a ruler and protractor to measure and label the lengths and angles of these 2D shapes.

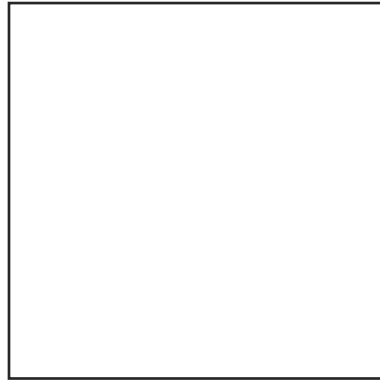




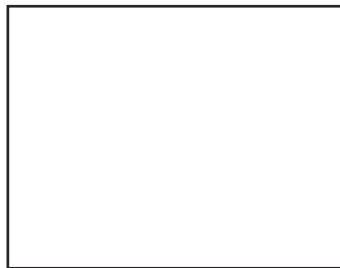
# 2D Shape Challenge **Answers**

Use a ruler and protractor to draw these shapes:

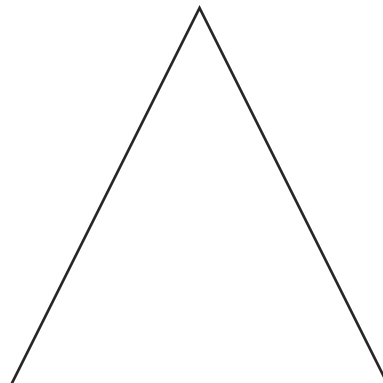
A 5cm square:



A 3.5cm x 4.5cm rectangle:



A 5cm equilateral triangle:

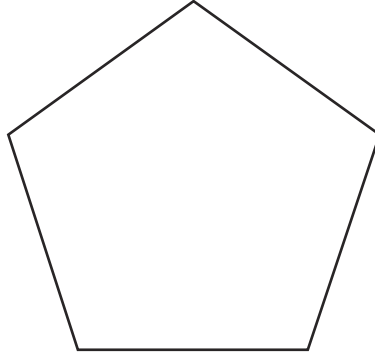




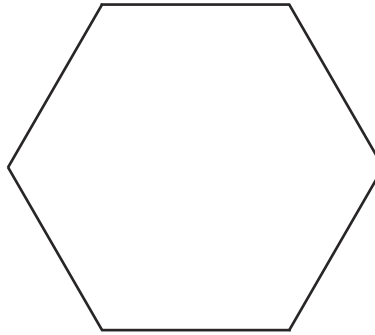
# 2D Shape Challenge **Answers**

Use a ruler and protractor to draw these shapes:

A 3cm regular pentagon with interior angles  $108^\circ$ :



A 2.5cm regular hexagon with interior angles  $120^\circ$ :



A 1cm regular octagon with interior angles  $135^\circ$ :

